



Thermometer-Hygrometer with internal sensor

Digital wall thermometers intended to measure temperature and humidity conditions in spaces regulated by the Royal Decree RD 1826/2009.

They are instruments that also show the measured values of air humidity, thus also fulfilling the Hygrometer function.

Includes mounting bracket with four-point anchor. Does not include external probe



STANDARD PARAMETERS

Design: RD 1826/2009

Degree of protection: IP20

Range: -30+70°C / 0 to 99% HR

Accuracy: $\pm 0.5^{\circ}\text{C}$ / $\pm 3\%$ (from 20 to 80%) $\pm 5\%$ otherwise

Resolution: 3 digits / 2 digits

Digit height: 100mm

Vision angle: 120°

Reading distance: 40m

Connection: Power supply 230VAC (2m cable with plug)

Consumption: 6.5W

Weight: 3Kg

MATERIALS

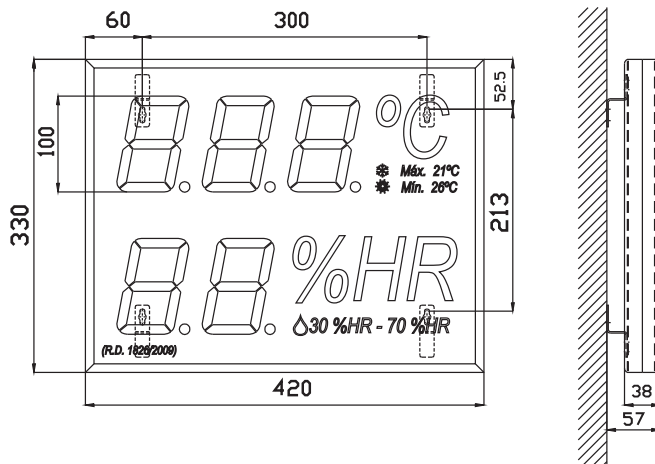
Framework: Anodized aluminum

Screen: Polymethyl methacrylate 5mm thick

Application:

- Airports
- Malls
- Waiting rooms
- Stores

DIMENSIONS (mm)



www.termometros.com



Pídelo en nuestra tienda online!

+34 94 676 63 64

info@termometros.com

